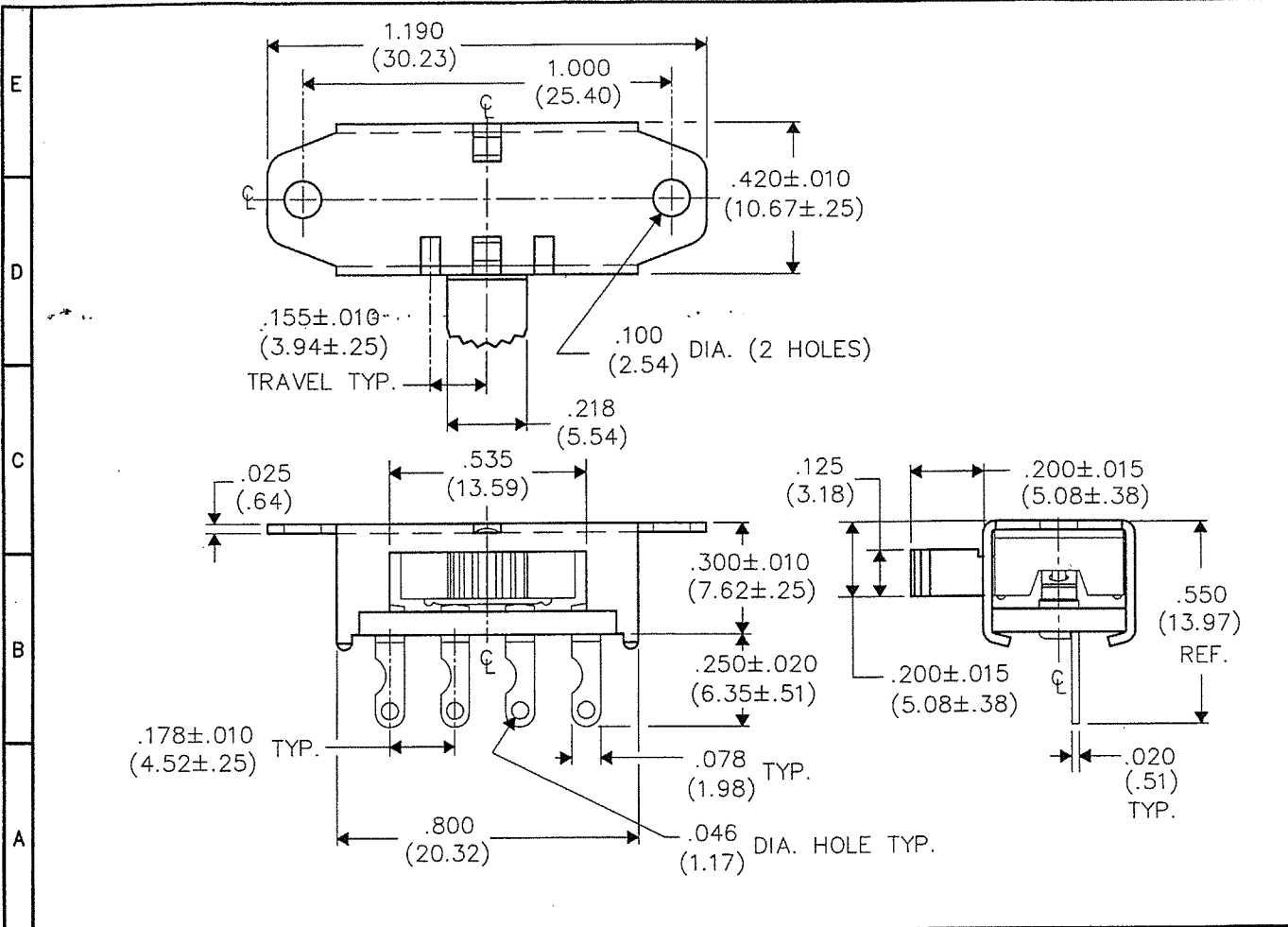


DIMENSIONS IN INCHES (MILLIMETERS)  
DO NOT SCALE DRAWING .....

Dwg. No.  
**GI-153-0000**



1 2 3 4 5 6 7 8 9 10

B-FORMAT 2002  
**REVISIONS**  
1  
REDRAWN, CORRECTED FRONT  
VIEWS OF TERMINALS.  
DGW 4-18-2006  
**JUN 02 2006**

**ATTENTION**  
THIS DRAWING AND ITS ATTACHMENT, IF ANY, ARE  
PROPRIETARY TO CW INDUSTRIES AND DESCRIBE  
DESIGNS THAT ARE CONFIDENTIAL AND MUST NOT  
BE DISCLOSED UNLESS AUTHORIZED, IN WRITING,  
BY AN OFFICER OF CW INDUSTRIES.....

**CW INDUSTRIES**  
Southampton, Pa. 18966  
TOLERANCES UNLESS OTHERWISE SPECIFIED  
2 Place Decimal ±.010 METRIC  
3 Place Decimal ±.005 1 Place Dec. ±.25mm  
Angles ..... ±1' 2 Place Dec. ±.13mm  
Made for: CW IND.  
Drawn by: DGW 4-18-2006  
Checked by: *B. Gold 6-1-06*  
Approval: *A. Johnson 6-1-6*

Title: **SWIDGET  
ASSEMBLY  
S.P.- 3 POS.  
(SYDEWYNDER)**  
Division: **SWITCH**  
Dwg. No. **GI-153-0000**